

GSMDD6911

60V P-Channel MOSFETs

Product Description

These P-Channel enhancement mode power field effect transistors are using trench DMOS technology. This advanced technology has been especially tailored to minimize on-state resistance, provide superior switching performance, and withstand high energy pulse in the avalanche and commutation mode.

These devices are well suited for high efficiency fast switching applications.

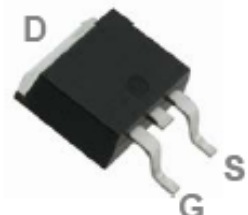
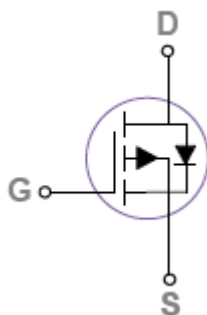
Features

- -60V, -7A, $R_{DS(ON)}=180m\Omega@V_{GS}=-10V$
- Improved dv/dt capability
- Fast switching
- 100% EAS guaranteed
- Green Device Available
- TO-252-2L package design

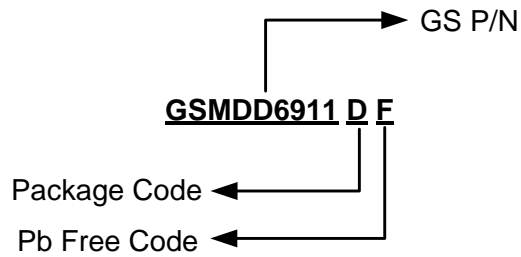
Applications

- Motor Drive
- Power Tools
- LED Lighting

Packages & Pin Assignments

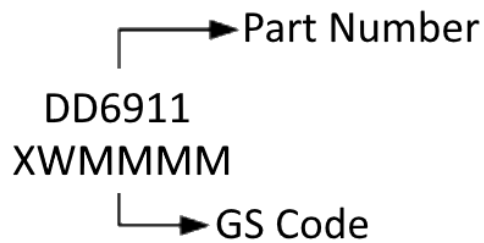
GSMDD6911DF (TO-252-2L)	
 <p>Top View</p>	
Description	
Gate	
Source	
Drain	

Ordering Information



Part Number	Package	Quantity Reel
GSMDD6911DF	TO-252-2L	2500 PCS

Marking Information



Absolute Maximum Ratings

T_A=25°C Unless otherwise noted

Symbol	Parameter	Typical	Unit
V _{DS}	Drain-Source Voltage	-60	V
V _{GS}	Gate –Source Voltage	±20	V
I _D	Continuous Drain Current	T _A =25°C	-7
		T _A =100°C	-4.4
I _{DM}	Pulsed Drain Current	-28	A
EAS	Single Pulse Avalanche Energy	32	mJ
IAS	Single Pulse Avalanche Current	-8	A
P _D	Power Dissipation (T _A =25°C)	15.6	W
	Power Dissipation (Derate above 25°C)	0.125	W/°C
T _J	Operating Junction Temperature Range	-50 to +150	°C
T _{STG}	Storage Temperature Range	-50 to +150	°C
R _{θJA}	Thermal Resistance-Junction to Ambient	62	°C/W
R _{θJC}	Thermal Resistance-Junction to Case	8	°C/W

Electrical Characteristics

T_A=25°C Unless otherwise noted

Symbol	Parameter	Conditions	Min	Typ	Max	Unit
Static						
V _{(BR)DSS}	Drain-Source Breakdown Voltage	V _{GS} =0V, I _D =-250uA	-60			V
ΔBV _{DSS} /ΔT _J	BV _{DSS} Temperature Coefficient	Reference to 25°C, I _D =-1mA		-0.05		V/°C
V _{GS(th)}	Gate Threshold Voltage		-1.2	-1.6	-2.5	V
ΔV _{GS(th)}	V _{GS(th)} Temperature Coefficient	V _{DS} =V _{GS} , I _D =-250uA		5		mV/°C
I _{GSS}	Gate Leakage Current	V _{DS} =0V, V _{GS} =±20V			±100	nA
I _{DSS}	Zero Gate Voltage Drain Current	V _{DS} =-60V, V _{GS} =0V			-1	uA
		V _{DS} =-48V, V _{GS} =0V, T _J =125°C			-10	
I _S	Continuous Source Current	V _G =V _D =0V, Force Current			-7	A
I _{SM}	Pulsed Source Current				-28	
R _{DS(on)}	Drain-Source On-Resistance	V _{GS} =-10V, I _D =-3A		153	180	mΩ
		V _{GS} =-4.5V, I _D =-1.5A		198	220	mΩ
g _{FS}	Forward Transconductance	V _{DS} =-10V, I _D =-2A		3		S
V _{SD}	Diode Forward Voltage	V _{GS} =0V, I _S =-1A			-1	V
Dynamic						
Q _g	Total Gate Charge	V _{DS} =-30V, V _{GS} =-10V, I _D =-3A		8.2	12	nC
Q _{gs}	Gate-Source Charge			1.8	3.6	
Q _{gd}	Gate-Drain Charge			1.5	3	
C _{iss}	Input Capacitance	V _{DS} =-30V, V _{GS} =0V, f=1MHz		425	615	pF
C _{oss}	Output Capacitance			35	50	
C _{rss}	Reverse Transfer Capacitance			20	30	
t _{d(on)}	Turn-On Time	V _{DD} =-30V, I _D =-1A, V _{GS} =-10V, R _G =6Ω		5.2	10	ns
t _r				19	36	
t _{d(off)}	Turn-Off Time			35	67	
t _f				10.6	20	

Typical Performance Characteristics

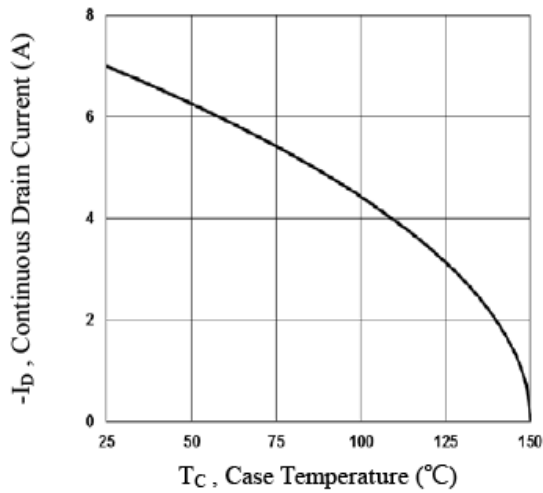


Fig.1 Continuous Drain Current vs. T_c

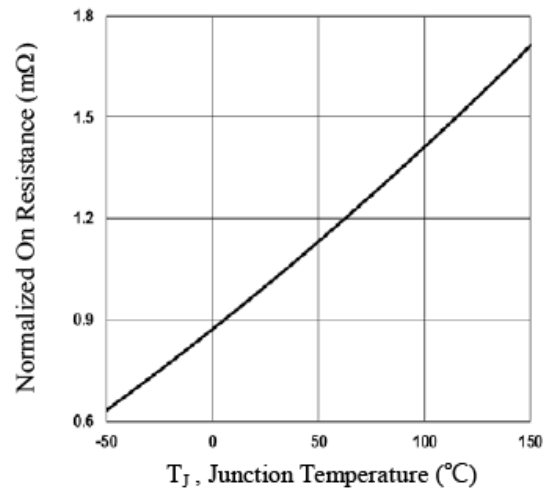


Fig.2 Normalized $R_{DS(on)}$ vs. T_j

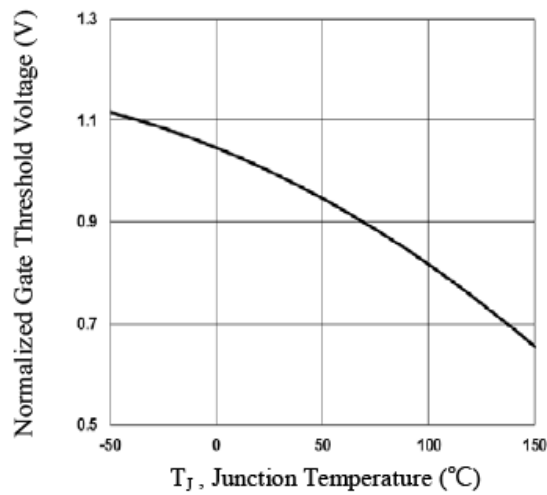


Fig.3 Normalized V_{th} vs. T_j

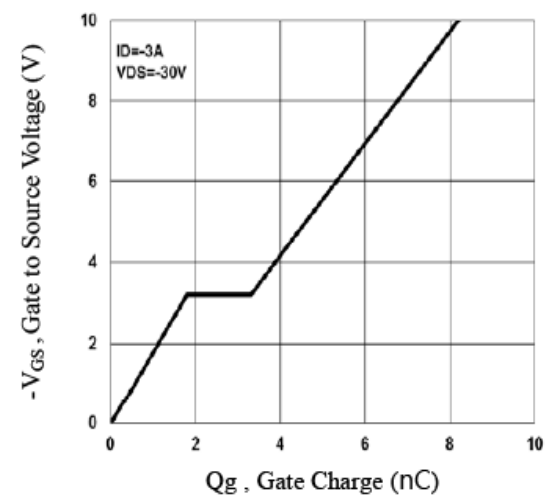


Fig.4 Gate Charge Waveform

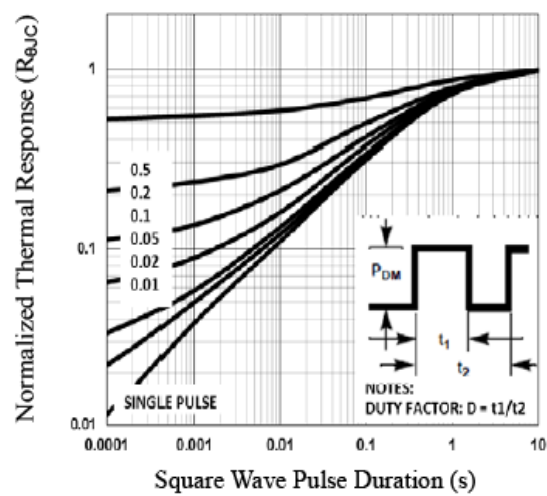


Fig.5 Normalized Transient Impedance

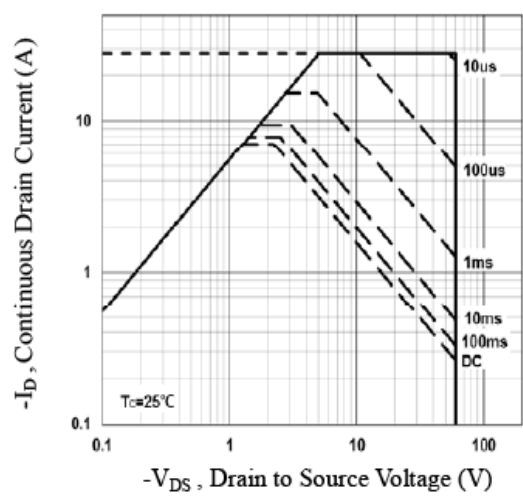
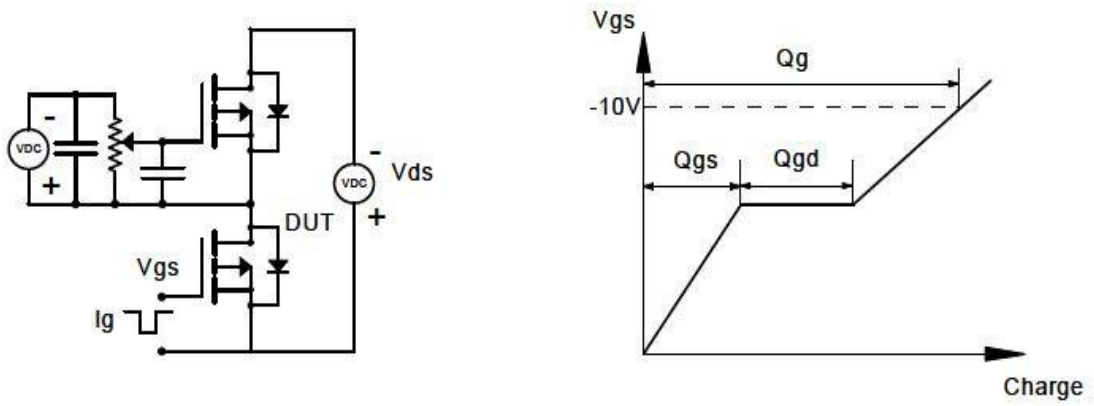


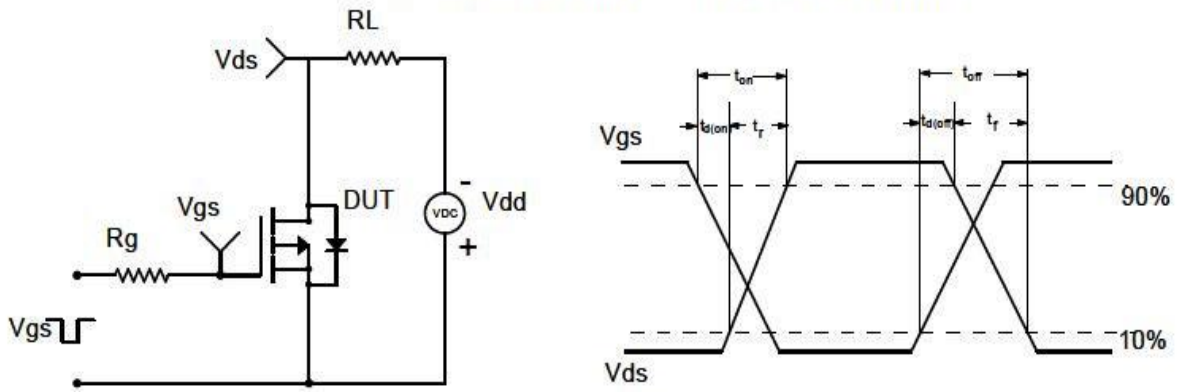
Fig.6 Maximum Safe Operation Area

Typical Performance Characteristics (Continue)

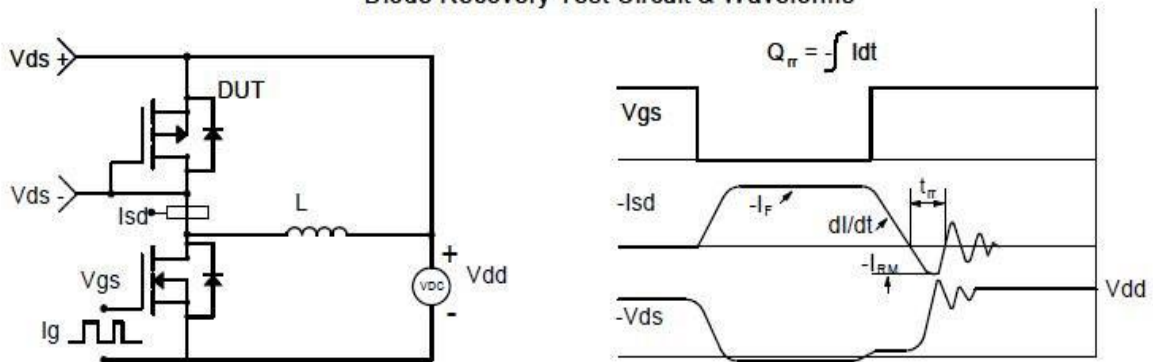
Gate Charge Test Circuit & Waveform



Resistive Switching Test Circuit & Waveforms

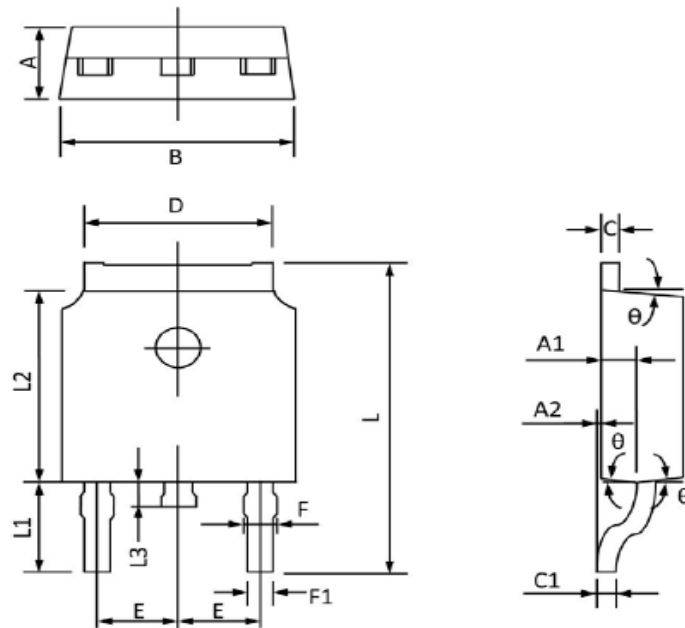


Diode Recovery Test Circuit & Waveforms



Package Dimension

TO-252-2L









Dimensions				
Symbol	Millimeters		Inches	
	Min	Max	Min	Max
A	2.20	2.40	0.087	0.094
A1	0.91	1.11	0.036	0.044
A2	0.00	0.15	0.000	0.006
B	6.50	6.70	0.256	0.264
C	0.46	0.58	0.018	0.030
C1	0.46	0.58	0.018	0.030
D	5.10	5.46	0.201	0.215
E	2.186	2.386	0.086	0.094
F	0.74	0.94	0.029	0.037
F1	0.66	0.86	0.026	0.034
L	9.80	10.40	0.386	0.409
L1	2.9 (REF)		0.114 (REF)	
L2	6.00	6.20	0.236	0.244
L3	0.60	1.00	0.024	0.039
θ	3°	9°	3°	9°

NOTICE

Information furnished is believed to be accurate and reliable. However Globaltech Semiconductor assumes no responsibility for the consequences of use of such information nor for any infringement of patents or other rights of third parties, which may result from its use. No license is granted by implication or otherwise under any patent or patent rights of Globaltech Semiconductor. Specifications mentioned in this publication are subject to change without notice. This publication supersedes and replaces all information without express written approval of Globaltech Semiconductor.

CONTACT US

GS Headquarter	
	4F.,No.43-1,Lane11,Sec.6,Minquan E.Rd Neihu District Taipei City 114, Taiwan (R.O.C)
	886-2-2657-9980
	886-2-2657-3630
	sales_twn@gs-power.com

RD Division	
	824 Bolton Drive Milpitas. CA. 95035
	1-408-457-0587