

# GS5583

## 1.5MHz, 3A Synchronous Step-Down DC/DC Converter

### Product Description

The GS5583 is a high-efficiency, DC-to-DC step-down switching regulators, capable of delivering up to 3.0A of output current. The GS5583 operates from an input voltage range of 2.5V to 5.5V and provides an output voltage from 0.6V to  $V_{IN}-0.3V$ , making the device GS5583 ideal for low voltage power conversions. Running at a fixed frequency of 1.5MHz allows the use of small external components, such as ceramic input and output caps, as well as small inductors, while still providing low output ripples. This low noise output along with its excellent efficiency achieved by the internal synchronous rectifier, making GS5583 an ideal green replacement for large power consuming linear regulators. Internal soft-start control circuitry reduces inrush current. Short-circuit and thermal-overload protection improves design reliability.

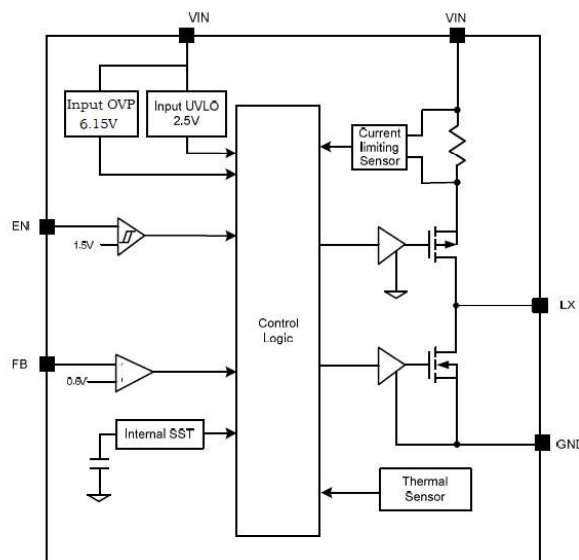
### Features

- High Efficiency: Up to 95%
- Capable of Delivering 3.0A
- 1.5MHz Switching Frequency
- No External Schottky Diode Needed
- Low dropout 100% Duty operation
- Internal Compensation and Soft-Start
- Current Mode control
- 0.6V Reference for Low Output voltages
- Logic Control Shutdown ( $I_Q < 1\mu A$ )
- Over Voltage Protection
- Short Circuit Protection
- Thermal shutdown and UVLO
- Power good indicator
- Available in SOT23-6 package

### Applications

- Digital Cameras
- Set top boxes
- Wireless and DSL Modems
- USB supplied Devices in Notebooks
- Portable Devices

### Functional Block Diagram



## Packages & Pin Assignments

GS5583RF SOT23-6L(Top View)		
Symbol	Pin(SOT23-6L)	Function
EN	1	Enable pin for the IC. Drive the pin to high to enable the part, and low to disable
GND	2	Ground pin.
LX	3	Inductor connection. Connect an inductor between LX and the regulator output.
V <sub>IN</sub>	4	Power Supply Input Pin. Must be closely decoupled to AGND with
PG	5	Power good indicator. When the output voltage exceeds 90% of regulation point, It becomes open drain low otherwise. Connect this pin to IN by a 1MΩ pull-up resistor
FB	6	Feedback input. Connect an external resistor divider from the output to FB and GND to set the output to a voltage between 0.6V and V <sub>in</sub>

## Typical Application Circuit

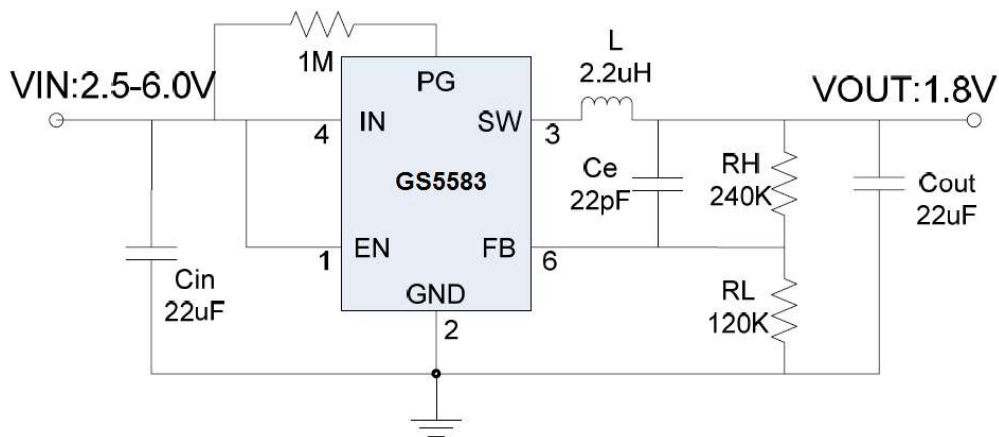
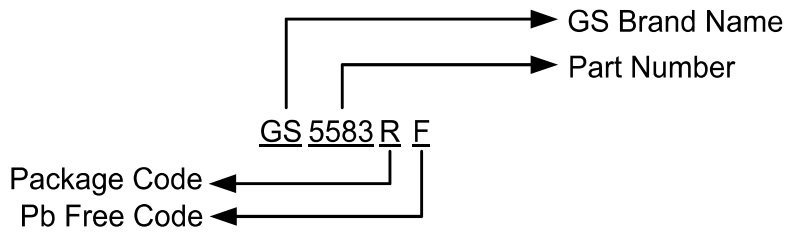
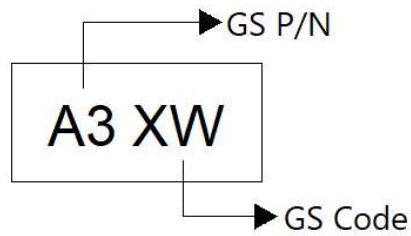


Figure1. GS5583 Adjustable Output Voltage Regulator

## Ordering Information



## Marking Information



Part Number	Package	Marking	Quantity
GS55583RF	SOT-23-6L	A3XW	3000 PCS

## Absolute Maximum Ratings

Symbol	Description	Value	Units
$V_{IN}$	Input Supply Voltage	6.0	V
$T_j$	Junction Temperature (Note 2)	150	°C
$T_A$	Operating Temperature Range	-40 to +85	°C
$P_D$	Power Dissipation	0.4	W
$T_{OPT}$	Operating Temperature Range	-40 to +85	°C
$T_{STG}$	Storage Temperature Range	-40 to +150	°C
$T_{LEAD}$	Lead Temperature(Soldering, 10s)	260	°C

## Electrical Characteristics

$V_{IN} = V_{EN} = 5V$ ,  $L = 2.2\mu H$ ,  $T_A = 25^\circ C$ , unless otherwise noted.

Symbol	Parameter	Test Conditions	Min	Typ	Max	Unit
$V_{IN}$	Input Voltage	-	2.5	-	5.5	V
$V_{UVLO}$	UVLO Threshold	$V_{IN}$ Rising	-	-	2.5	V
$I_Q$	Input DC Supply Current	$I_{LOAD} = 0mA$ (Note 4)	-	40	-	$\mu A$
$I_{SHDN}$	Input DC Supply Current (Shutdown Mode)	$V_{EN} = 0V$ , $V_{IN} = 4.2V$ (Note 4)	-	-	1	
$V_{FB}$	Regulated Feedback Voltage		0.588	0.600	0.612	V
$I_{FB}$	Feedback Leakage Current		-	0.1	0.4	$\mu A$
$V_{ENH}$	EN Input High Voltage	-	1.5	-	-	V
$V_{ENL}$	EN Input Low Voltage	-	-	-	0.4	V
$I_{EN}$	EN Leakage Current	-	-	-	1	$\mu A$
$I_{LX}$	LX Leakage Current	$V_{EN} = 0V, V_{IN} = V_{LX} = 5V$	-	-	1	$\mu A$
$R_{DS(ON)H}$	On Resistance of PMOS	$I_{LX} = 100mA$	-	110	-	$m\Omega$
$R_{DS(ON)L}$	ON Resistance of NMOS		-	80	-	
$I_{PK}$	Peak Current Limit	-	4	-	-	A
$T_{SS}$	Soft-Start Time		-	350	-	$\mu s$
$F_{OSC}$	Oscillation Frequency		-	1.5	-	MHz

Note 1: Absolute Maximum Ratings are those values beyond which the life of a device may be impaired.

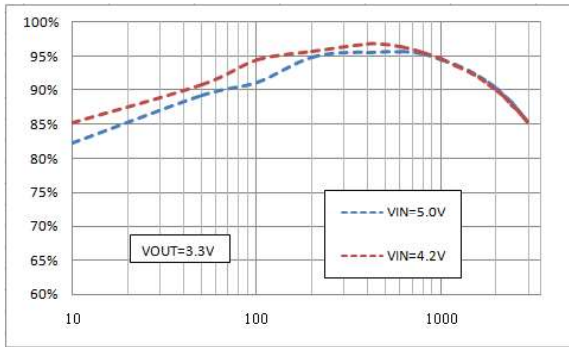
Note 2:  $T_J$  is calculated from the ambient temperature  $T_A$  and power dissipation  $P_D$  according to the following formula:  $T_J = T_A + (P_D) \times (\theta_{JA})$ .

Note 3: 100% production test at  $+25^\circ C$ . Specifications over the temperature range are guaranteed by design and characterization.

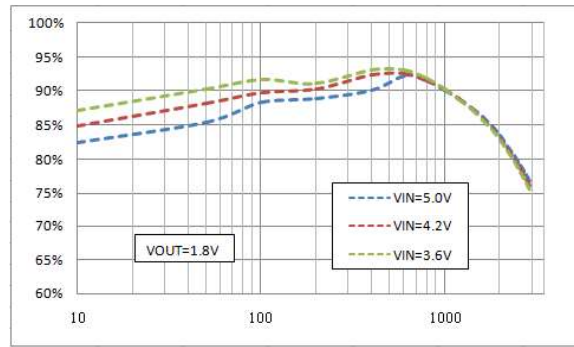
Note 4: Dynamic supply current is higher due to the gate charge being delivered at the switching frequency.

## Typical Performance Characteristics

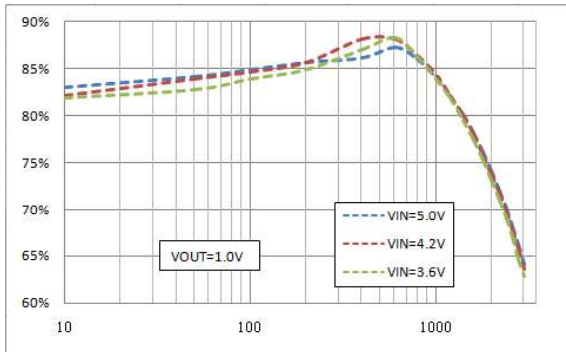
CIN=22 $\mu$ F, COUT=22 $\mu$ F, L=2.2 $\mu$ H, Ce=22pF, Tested under TA=25°C, unless otherwise specified



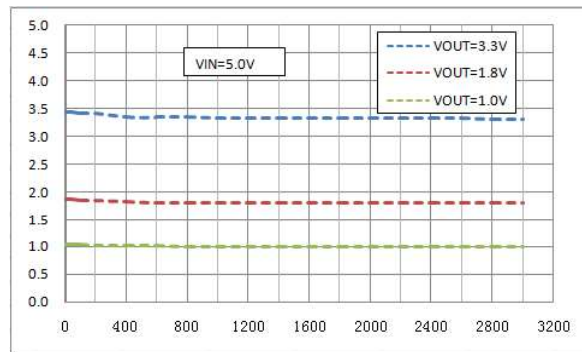
Efficiency vs. Load Current



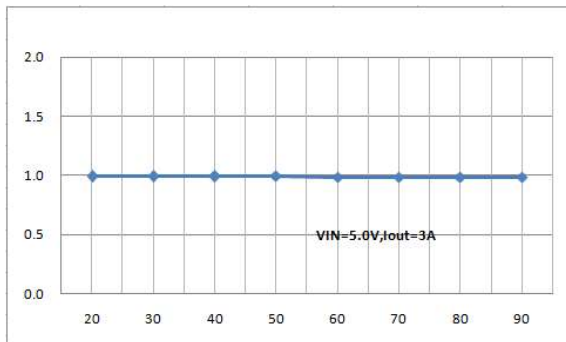
Efficiency vs. Load Current



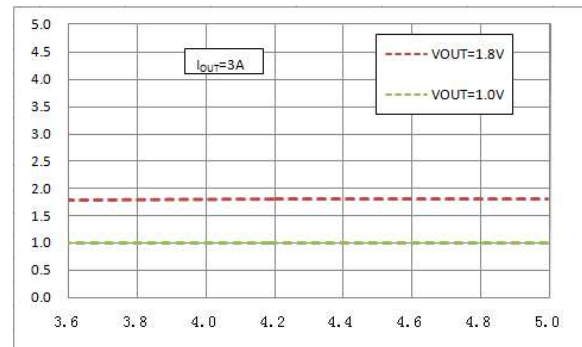
Efficiency vs. Load Current



Output Voltage vs. Output Current



Operation Temperature vs. Output Voltage



Input Voltage vs. Output Voltage

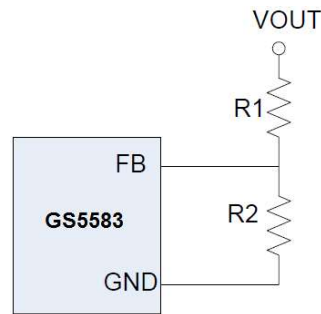
## Applications Information

### Setting the Output Voltage

Output voltages are set by external resistors. The FB threshold voltage (VFB) is 0.6V.

$$V_{OUT} = 0.6V \times \left(1 + \frac{R1}{R2}\right)$$

Set R2 to 100K, then R1 can be easily derived from the above equation



### Output Capacitor Selection

The output capacitor is selected to handle the output ripple noise requirements, both steady state ripple and transient requirements must be taken into consideration when selecting this capacitor. For the best performance, it is recommended to use X5R or better grade ceramic capacitor with 6.3V rating and greater than 10uF Capacitance.

### Input Capacitor Selection

This ripple current through input capacitor is calculated as:

$$I_{CIN\_RMS} = I_{OUT} \times \sqrt{D(1-D)}$$

This formula has a maximum at  $V_{IN} = 2V_{OUT}$  condition, where  $I_{CIN\_RMS} = I_{OUT}/2$ . This simple worst-case condition is commonly used for the DC-DC design.

With the maximum load current at 3.0A, A typical X5R or better grade ceramic capacitor with 6.3V rating and more than 1pc 10uF capacitor can handle this ripple current well. To minimize the potential noise problem, ceramic capacitor should really be placed close to IN and GND pins. Care should be taken to minimize the loop area formed by CIN and IN/GND pins.

### Output Capacitor Selection

There are several considerations in choosing this induction.

1) Choose the inductance to provide the desired ripple current. It is suggested to choose the ripple to be about 40% of maximum output current. The inductance is calculated as:

$$L = \frac{V_{OUT}(1 - V_{OUT}/V_{IN,MAX})}{F_{SW} \times I_{OUT,MAX} \times 40\%}$$

Where FSW is the switching frequency and IOUT.MAX is the maximum load current.

The GS5582 regulator IC is quite tolerant of different ripple current amplitude. Consequently, the final choice of inductance can be slightly off the calculation value without significantly impacting the performance.

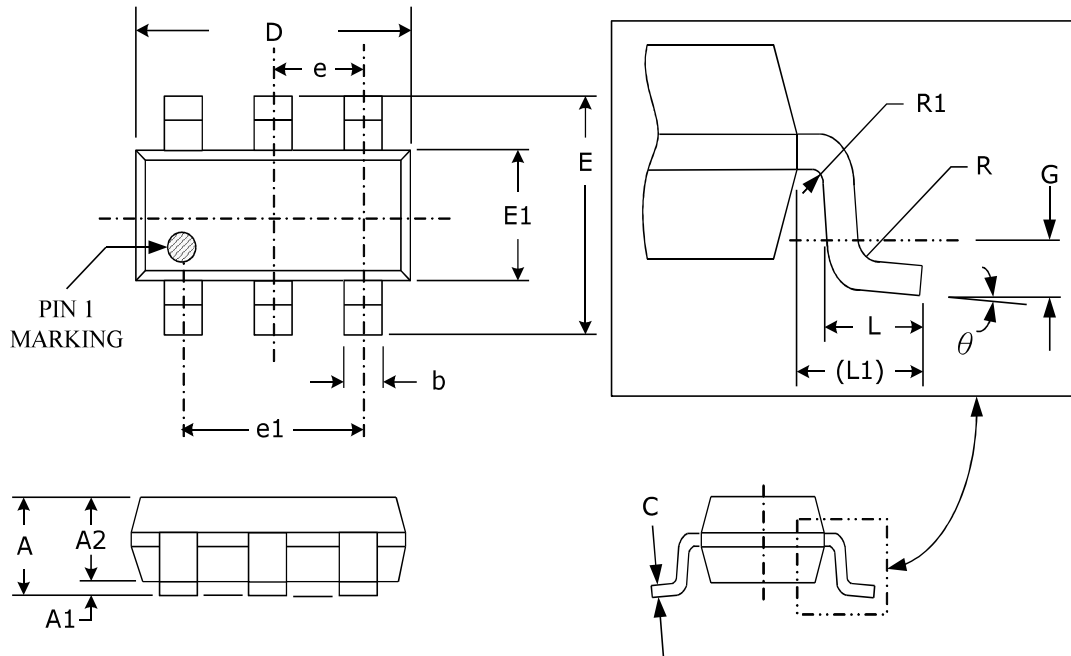
2) The saturation current rating of the inductor must be selected to be greater than the peak inductor current under full load conditions.

$$I_{SAT, MIN} > I_{OUT, MAX} + \frac{V_{OUT}(1 - V_{OUT}/V_{IN,MAX})}{2 \cdot F_{SW} \cdot L}$$

3) The DCR of inductor and the ore loss at the switching frequency must be low enough to achieve the desired efficiency requirement. It is desirable to choose an inductor with  $DCR < 50m\Omega$  to achieve a good overall efficiency.

## Package Dimension

### SOT-23-6L PLASTIC PACKAGE









Dimensions				
SYMBOL	Millimeters		Inches	
	MIN	MAX	MIN	MAX
A	-	1.45	-	.057
A1	0.00	0.15	0	.0059
A2	0.90	1.3	.0354	.0511
b	0.30	0.50	.012	.020
c	0.08	0.20	.003	.008
D	2.90 (TYP)		.114 (TYP)	
E	2.80 (TYP)		.110 (TYP)	
E1	1.60 (TYP)		.063 (TYP)	
e	0.95 (TYP)		.037 (TYP)	
e1	1.90 (TYP)		.075 (TYP)	
L	0.30	0.60	.014	.022
L1	0.60 (TYP)		.024 (TYP)	
R	0.10	-	.004	-
R1	0.10	0.25	.004	.010
G	0.25 (TYP)		.010 (TYP)	
$\theta$	0°	8°	0°	8°

## NOTICE

Information furnished is believed to be accurate and reliable. However Globaltech Semiconductor assumes no responsibility for the consequences of use of such information nor for any infringement of patents or other rights of third parties, which may result from its use. No license is granted by implication or otherwise under any patent or patent rights of Globaltech Semiconductor. Specifications mentioned in this publication are subject to change without notice. This publication supersedes and replaces all information without express written approval of Globaltech Semiconductor.

## CONTACT US

GS Headquarter	
	4F.,No.43-1,Lane11,Sec.6,Minquan E.Rd Neihu District Taipei City 114, Taiwan (R.O.C)
	886-2-2657-9980
	886-2-2657-3630
	sales_twn@gs-power.com

RD Division	
	824 Bolton Drive Milpitas.CA. 95035
	1-408-457-0587