



*GLOBALTECH
GS2231/2251 Promotion*

GLOBALTECH
GS2231/2251 Promotion

- 1 Benefits for Customers**
- 2 Portfolio**
- 3 Potential business**
- 4 Sample Application Circuit**
- 5 Outline & Packaging**

Benefits for Customers

Designers

- Adjustable output voltages to 0.8V
- 450mV typical dropout at 5A
- Ideal for 1.8V to 1.2V conversion
- 5A minimum guaranteed output current
- 1.5% initial accuracy
- Low ground current
- Current limiting and thermal shutdown
- Ultra Fast transient response
- RoHS Compliant, 100%Pb & Halogen Free

Advantage

- Cost saving, Quality, Good performance.

Compare price–performance ratio

		Globaltech	RT/UPI/Anpec
Design		★★★★★★	★★★★★★
Foundry	Process	★★★★★★	★★★★★★
	Quality	★★★★★★	★★★★★★
	Cost	★★★★★★	★★★★★
Assembly	Quality	★★★★★★	★★★★★★
	Cost	★★★★★★	★★★★★
Summary			✓✓

CMOS LDO Serials

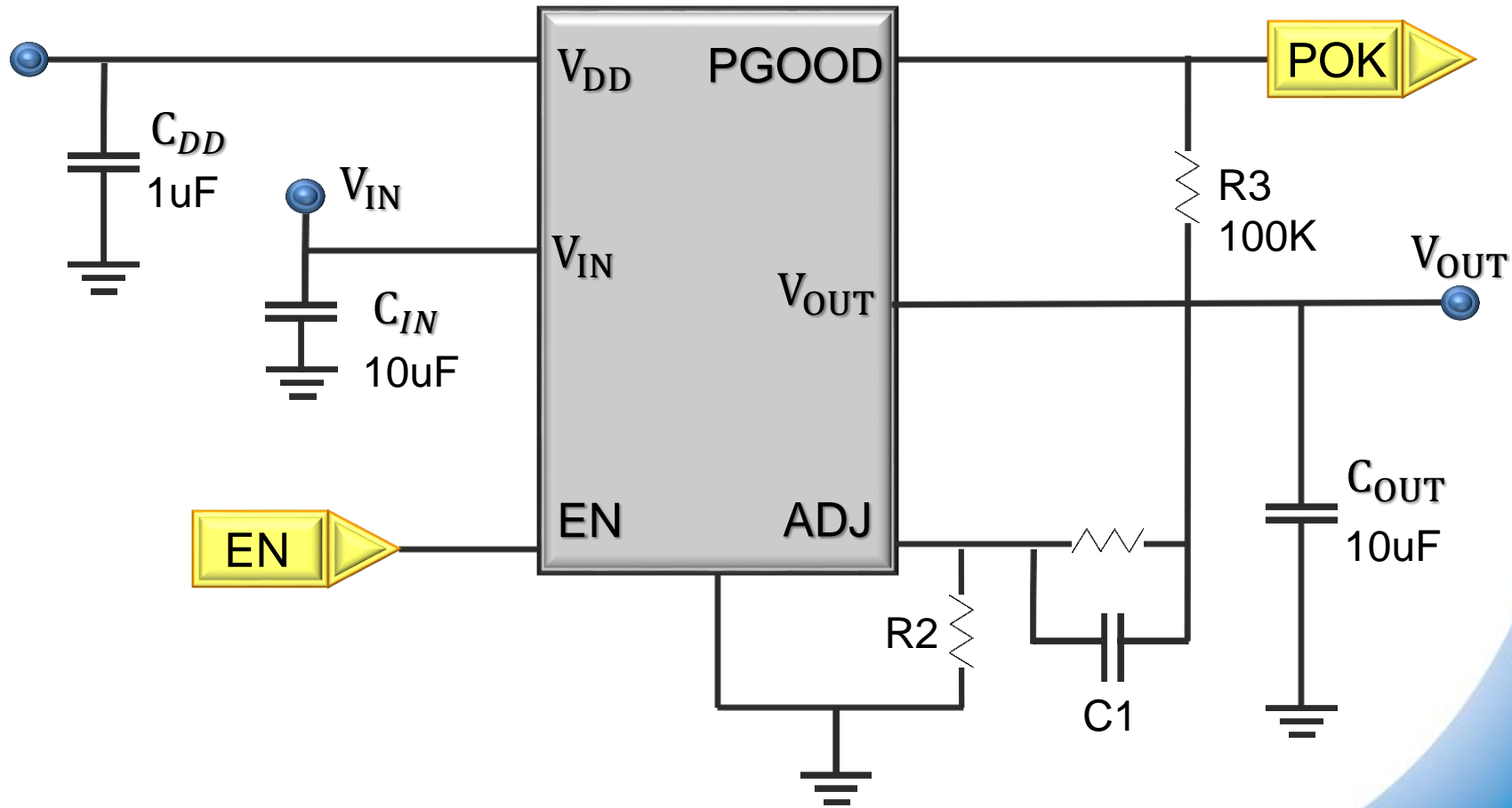
- GS2221 ([N-MOS LDO/UP7704/RT9025](#))
- GS2231 ([UP0104/UP7704/RT9018](#))
- GS2251 ([GS2250 Planning do APL5912 pin out](#))

	Supply Voltage	Iout (A)	Output Voltage	Supply Current	Dropout Voltage	PSRR @1KHz	Enable	Soft Start	Power Good	Package Type
GS2221	3.0-5.5	2	Adj (Vref=0.8V)	50uA	300mV	50dB	✓	✓	✓	PSOP8
GS2231	3.0-5.5	3	Adj (Vref=0.8V)	50uA	300mV	50dB	✓	✓	✓	PSOP8
GS2251	3.0-5.5	5	Adj (Vref=0.8V)	50uA	300mV	50dB	✓	✓	✓	PSOP8

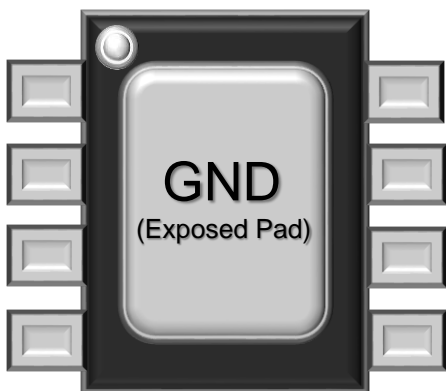
Applications

- PC (MB, NB, Net Book)
- LCD TV/Monitor
- DDR BUS VTT High-efficiency linear power supplies
- SMPS post regulator
- Multimedia and PC processor supplies
- Battery chargers
- Low –Voltage Micro-Controllers and digital logic
- Front Side Bus VTT (1.2V/5A)

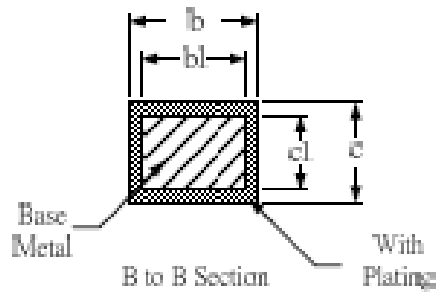
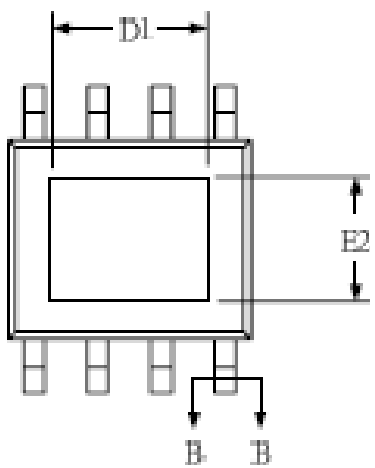
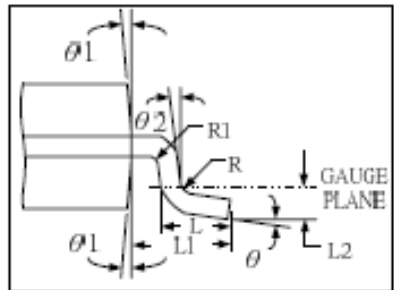
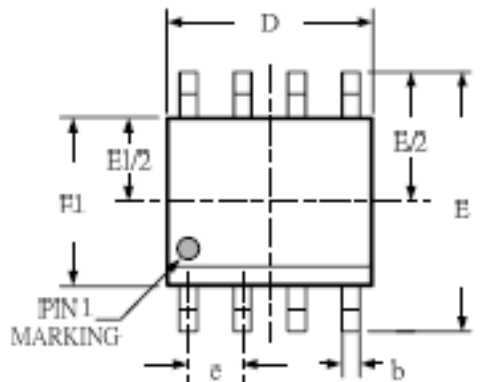
Sample Application Circuit



PSOP8



Pin No	Pin	Pin Function
1	POK	Power Good Open Drain Output
2	V_{IN}	Chip Enable (Active High).
3	V_{IN}	Chip Enable (Active High).
4	V_{CNTL}	Supply Voltage for major power
6	NC	Supply Voltage for Control Circuit
7	V_{OUT}	No Connect
8	FB	Feedback Voltage
7	GND	Ground





THANK YOU